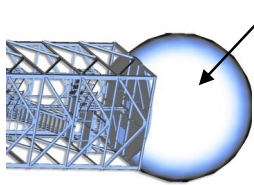


Professional weather forecasters measured the level of rainfall

using \_\_\_\_\_.

Inside here is a spinning radar dish




---

---

---

---

---

---

---

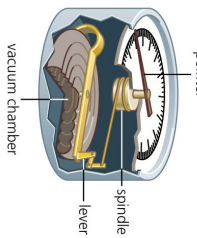
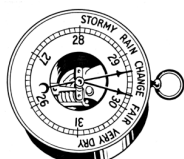
---

Put glue on this page to stick this work into your book.

# How do we measure the weather?

We use a variety of different instruments to measure the weather. This booklet will tell you how some of them work.

Air Pressure is measured using a \_\_\_\_\_.




---

---

---

---

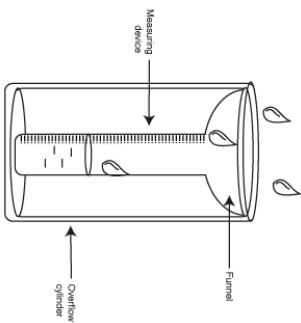
---

---

---

---

Rainfall is measured using a \_\_\_\_\_.




---

---

---

---

---

---

---

---

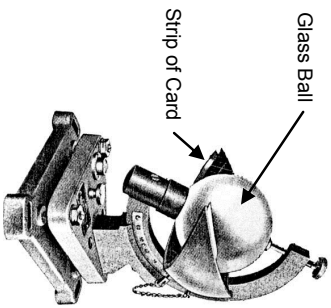
I have correctly named each piece of equipment that is used to measure the weather.

I have accurately described how each piece of equipment works.

I have named the units that each instrument measures in.

--	--	--

Sunshine is measured using a \_\_\_\_\_.



---

---

---

---

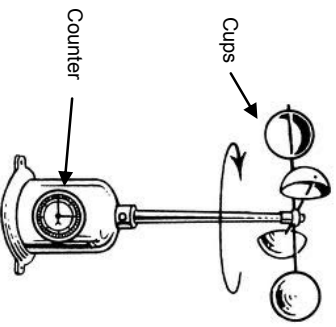
---

---

---

---

Wind Speed is measured using an \_\_\_\_\_.



---

---

---

---

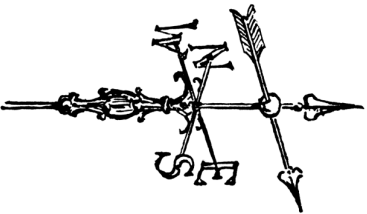
---

---

---

---

Wind Direction is measured using a \_\_\_\_\_.



---

---

---

---

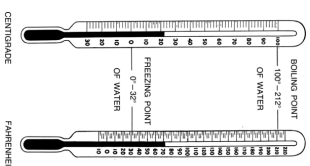
---

---

---

---

Temperature is measured using a \_\_\_\_\_.



---

---

---

---

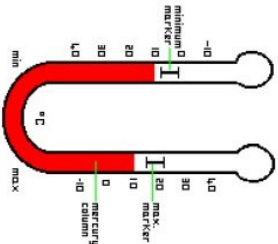
---

---

---

---

The highest and lowest temperature for each day is measured using a \_\_\_\_\_.



---

---

---

---

---

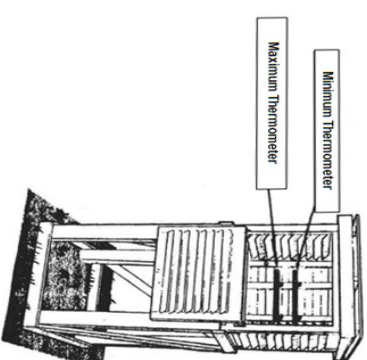
---

---

---

Maximum and minimum thermometers are kept in a \_\_\_\_\_.

This is a specially constructed box that protects the thermometers from sunshine and rain which could give false readings. It is painted white to \_\_\_\_\_ heat transmitted by infra-red radiation and placed on stilts to reduce heat transferred from the ground by \_\_\_\_\_.



---

---

---

---

---

---

---

---